

1 2 3 4 5 6 7 8

REV	DATE	QUANTITY	DESCRIPTION	CHARGE	SEC
01	2016/7/5		初版	Nakashima	開発技術部

A

B

C

D

E

F

A

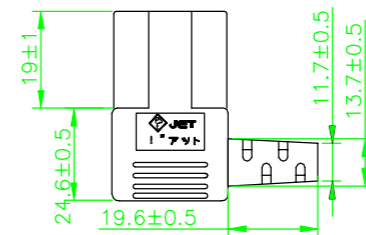
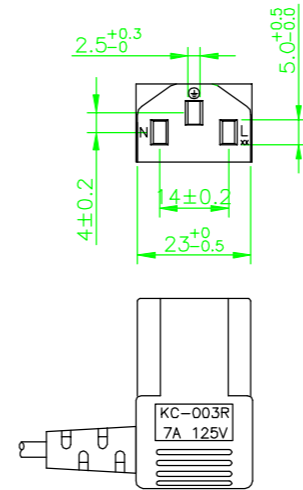
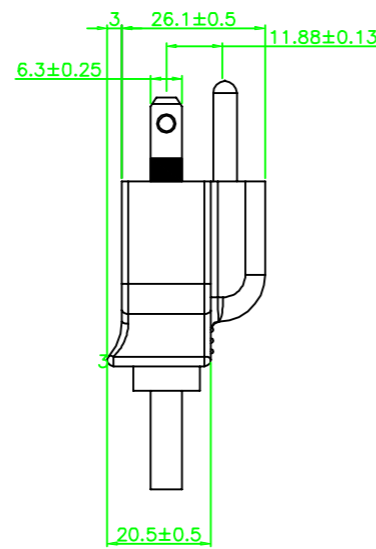
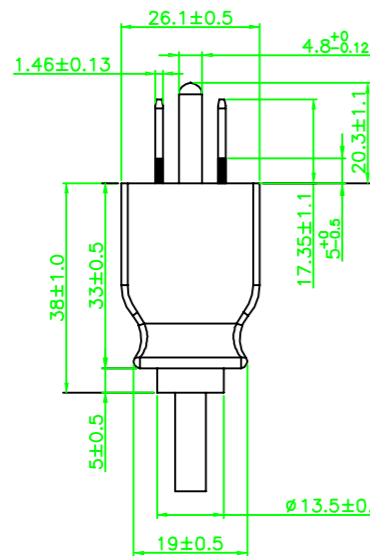
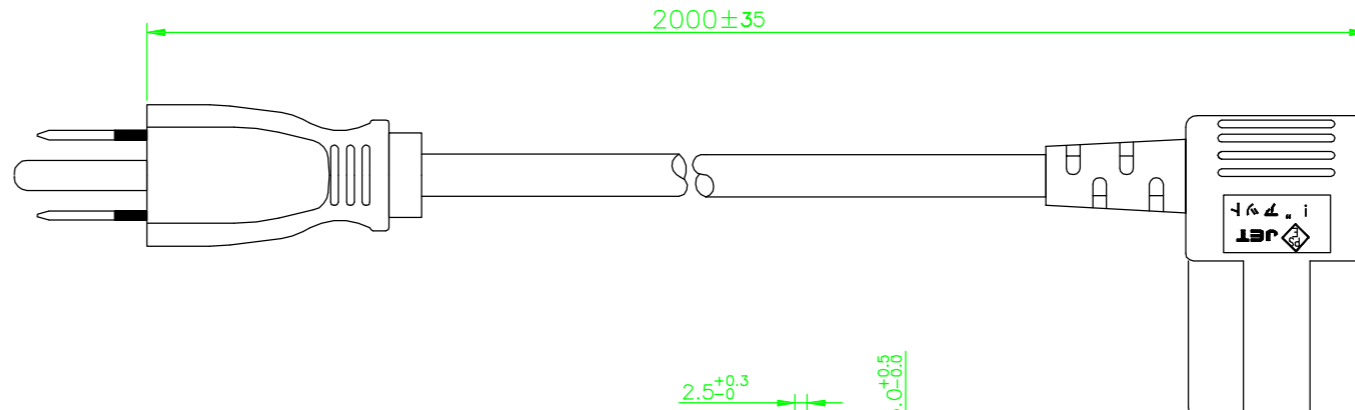
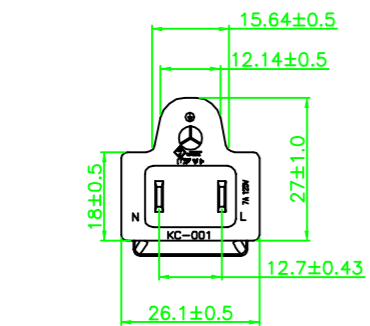
B

C

D

E

F



APPROVAL	SPEC			FXC Inc.
	MATERIAL	SCALE	PRODUCT NAME	
		NS	OPT-AC100V-L-02	
DRAWING	FINISH	UNIT	TITLE	
		mm	OPT-AC100V-L-02外觀図	
		DATE	DWG No.	SHEET
		2016/7/5	A3-E11-0030-01	1/1

1 2 3 4 5 6 7 8