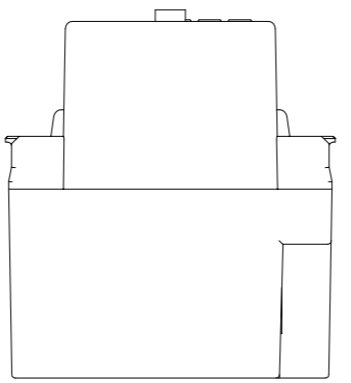
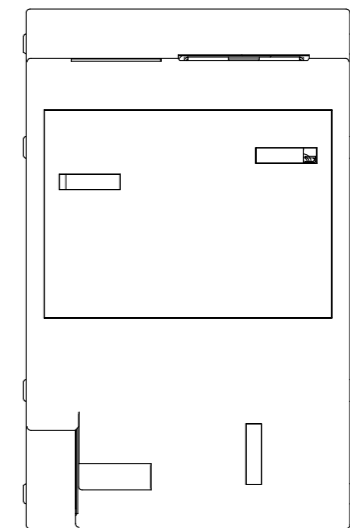
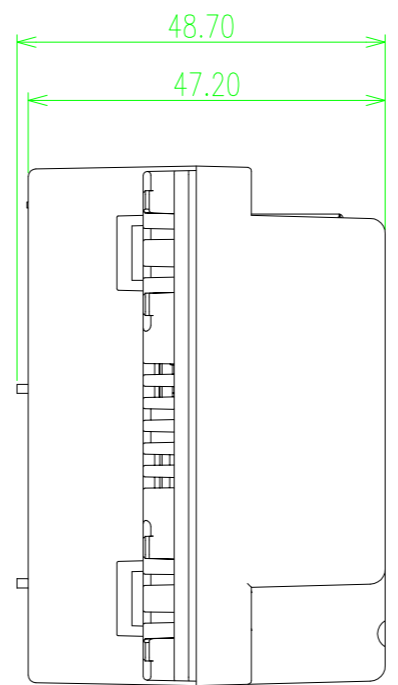
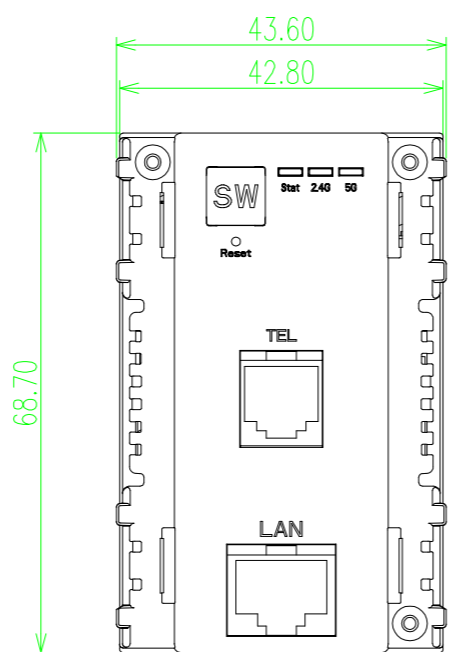
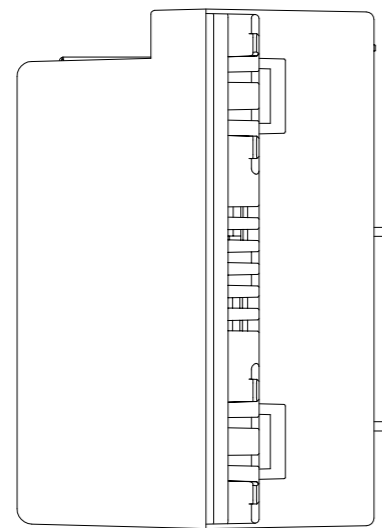
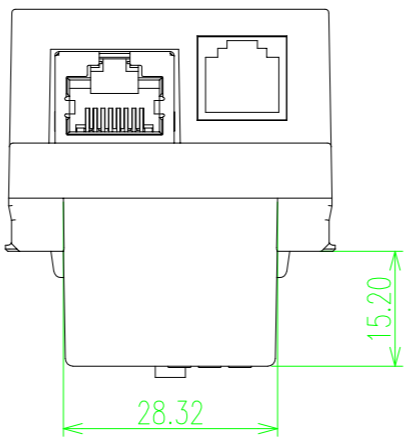


1 2 3 4 5 6 7 8

REV	DATE	QUANTITY	DESCRIPTION	CHARGE	SEC
01	2017/10/11		初版	Nakashima	PE

A  
B  
C  
D  
E  
F

A  
B  
C  
D  
E  
F



APPROVAL	SPEC			FXC Inc.
	MATERIAL	SCALE NS	PRODUCT NAME AE1041PE	
DRAWING	FINISH	UNIT mm	TITLE AE1041PE外觀図	
		DATE 2017/10/11	DWG No. A3-E11-0041-01	SHEET 1/1

1 2 3 4 5 6 7 8